

# "PBF-W2-GLF" ECONOMY FAUCETS - SHALLOW MOUNT

*Low-Lead, Splashmount w/Gooseneck Spout, 4" O.C.*

**FEATURES:**

- Economy Faucet - Shallow Mount
- Splash Mount - 4" O.C.
- Low-Lead Construction
- Available With 3-1/2" Gooseneck Spout

**CERTIFICATIONS:**

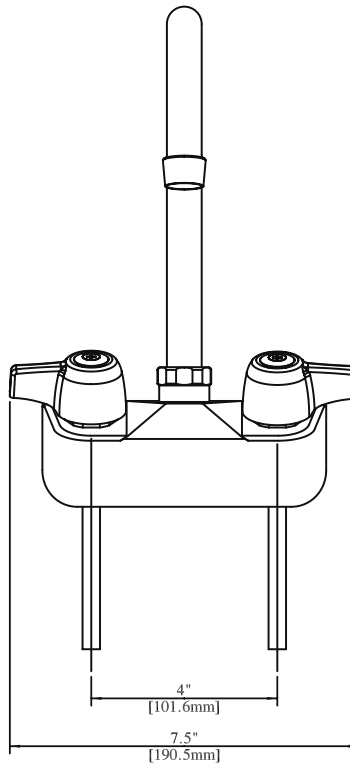
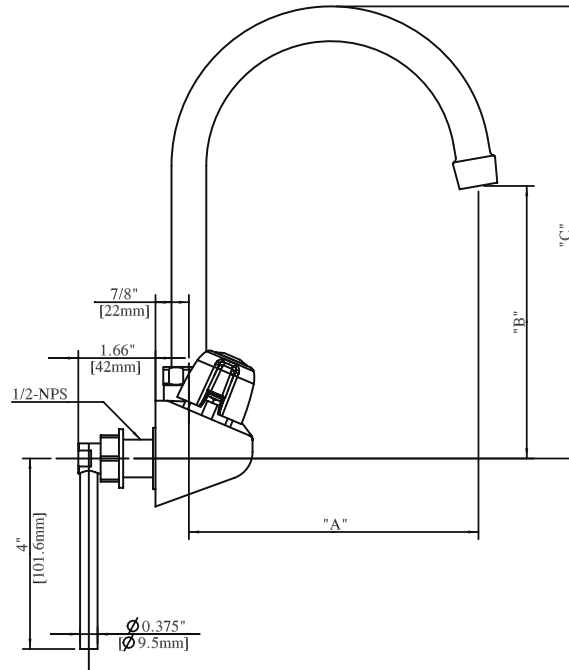


## "PBF-W2-GLF" LOW-LEAD ECONOMY FAUCETS

MODEL	DESCRIPTION	A	B	C	WEIGHT (LBS)
PBF-W2-3GLF	3-1/2" Gooseneck Spout, Shallow Mount	3.5"	5.13"	7.88"	3

ALL DIMENSIONS ARE TYPICAL. TOLERANCE +/- .500". JOHN BOOS & CO. RESERVES THE RIGHT TO CHANGE SPECIFICATIONS WITHOUT NOTICE.

# DETAILED SPECIFICATIONS



## "PBF-W2-GLF" LOW-LEAD ECONOMY FAUCETS

MODEL	DESCRIPTION	A	B	C	WEIGHT (LBS)
PBF-W2-3GLF	3-1/2" Gooseneck Spout, Shallow Mount	3.5"	5.13"	7.88"	3

ALL DIMENSIONS ARE TYPICAL. TOLERANCE +/- .500". JOHN BOOS & CO. RESERVES THE RIGHT TO CHANGE SPECIFICATIONS WITHOUT NOTICE.